

# WOOD STOVES & FIREPLACE INSERTS

WOOD HEAT IS GOOD HEAT!





# NORTH AMERICA'S FAVORITE FIRE

Lopi wood stoves and inserts have been North America's favorite choice in fire for over thirty years. Our reputation for solid craftsmanship, reliable performance, low emissions and unbeatable heating efficiency has been a winning combination year after year, and the favorite fire of families across the nation.



1979 - First Lopi Wood Stove

Lopi heating appliances are designed and hand-assembled at our state-of-the-art plant in Mukilteo, Washington. Each stove comes with our seven year warranty. After all, we have the experience and confidence to stand behind every single product we make, so we put it in writing. We've learned and grown with every stove we've built over the years, but one thing that hasn't changed is the beauty of our stoves and inserts, performance you can trust and our commitment to your satisfaction.

Whether you are new to the family of Lopi heating appliances or already a part of our family, we invite you to take a look at our newest line of wood stoves and inserts. We know you'll find your favorite fire.

## WHY HEAT WITH WOOD?

Nothing heats like wood. Lopi wood stoves and fireplace inserts warm the coldest days, brighten the darkest nights and fill your home with the gentle, radiant heat only wood can produce. With styles and installation choices for every room in your home, America's favorite fire helps you declare yourself free from high heating bills.

## WOOD HEAT IS GOOD HEAT!

All wood stoves manufactured by Lopi are certified by the EPA and are designed to emit only a fraction of the smoke that older, non-certified stoves produced. Burning wood emits no more carbon dioxide into the environment than would normally be produced from the same wood if left to decay in the forest. You can feel confident to know that burning wood is truly Carbon Neutral to the environment and a responsible and sustainable way to heat your home.

## HOW DO YOU SAY LOPI?

We hear a lot of different pronunciations - Lopey...Loopee...Loppy! It's actually pronounced Low-pie, and was created by our president, Kurt Rumens. The name was inspired by a love of the Northwest, a fascination with Native American culture and the nature and wildlife that live in this beautiful place. Lopi means beauty, strength and independence and has become a legend all its own.



*Lopi is not so much a brand name as it is a tradition of craftsmanship in the construction of our wood stoves and of pride to the families who own them. We invite you to share this proud tradition.*

**KURT W. F. RUMENS**  
*President, Travis Industries*



# WHY BUY A LOPI WOOD STOVE?

## ENERGY INDEPENDENCE

The expense of heating your home with oil, gas or electricity just keeps going up. Lopi's radiant and convective wood stoves give you even, penetrating heat that comfortably warms every room in your home for a fraction of what you'd pay for standard utilities.

## CARE FOR THE ENVIRONMENT



Did you know an old, inefficient wood stove can generate as much as three pounds of pollutants into the air each day? Lopi stoves are E.P. A. certified and emit as little as 1.9 grams of particulates per hour, thus reducing pollutants by over 95 percent. By using a Lopi stove, you're keeping the air in your neighborhood clean and breathable. And because wood is a renewable resource, Lopi stoves are so efficient they use substantially less wood than other stoves to get the same amount of heat output. All Lopi wood stoves have the option of adding an Outside Air Kit, which allows the stove to pull combustion air from outside rather than from inside the home. This prevents the stove from pulling in and removing the already heated room air for combustion and protects your indoor air quality.

## BUILT TO PERFORM, BUILT TO LAST

Lopi offers the choice of the mid-priced Republic line of radiant wood stoves and the high performance Classic line-up of Lopi wood stoves that includes a high performance convection chamber as a standard feature and are the only line of non-catalytic stoves to feature a standard bypass damper for smokeless startup and reloading (see page 19). With heavy gauge steel construction, solid airtight doors, stainless steel air tubes and commercial grade firebrick, our stoves are built to last a lifetime.



*Bypass Damper*

## NO POWER? NO PROBLEM!

Lopi wood stoves provide reliable heat even during power outages and don't need blowers to operate. So you'll be warm and cozy no matter what's going on outside. Many of our models have cooking surfaces so you can warm soup or cider or fry bacon and eggs for breakfast.

## A WARMTH LIKE NO OTHER

Wood heat soothes and radiates and nothing does it better than a Lopi wood stove. Most stoves give off radiant heat that only warms objects within the room. Lopi's five-sided convection chamber system circulates air around the stove and then pushes the warm air through the room to other areas of your home. It's a difference you can feel.





# REPUBLIC 1250i

I N S E R T

Available in  
CANADA



3



*Shown with black door, convection fan, 10" panels and custom painted metallic brown.*

Now experience the performance and quality you've come to expect in Lopi wood stoves in two mid-priced economy fireplace inserts. Without compromising construction or function, Lopi has managed to produce a wood insert line that's designed to be affordable, good looking and just plain heats.

Republic wood burning inserts are clean, green, efficient and come in two models - The 1250i for smaller homes or zonal heating needs and the 1750i for mid-sized homes or zonal heating specific areas of large homes. The Republic insert comes with a "5 year Real World Warranty".

Options: Convection Fan, Finish Panels and Firescreen.

Emissions	Heating Capacity	Heat Output	Maximum Burn Time	Firebox Size	Maximum Log Size	Weight	Construction	Efficiency
4.4 Grams Per Hour	600 to 1,200 Sq. Ft.	Cord Wood 66,800 BTUs/Hr.	Up To 8 Hours	1.6 Cubic Foot	Up To 18"	243 lbs.	1/4" to 3/16" Steel Plate	Up To 79.6%

# REPUBLIC 1750i

I N S E R T



Available in  
CANADA



## COOKTOP SURFACE



4

*Shown with black door, convection fan and 10" panels. Keep combustibles 36" from front of stove.*

With a Republic wood burning insert you can turn your old, inefficient open masonry or metal (ZC) fireplace into a great heat source for your home. A Republic insert is more than five times as efficient as an open fireplace and features a built-in convection chamber to circulate and distribute heat throughout your home. The model 1750i even features a bypass damper that allows quick and easy fire start-up. Republic inserts will provide your family with a cooktop surface and reliable heat source - even during power outages. The Republic insert comes with a "5 year Real World Warranty."

Options: Convection Fan, Finish Panels and Firescreen.

Emissions	Heating Capacity	Heat Output	Maximum Burn Time	Firebox Size	Maximum Log Size	Weight	Construction	Efficiency
1.9 Grams Per Hour	1,200 to 2,000 Sq. Ft.	Cord Wood 72,400 BTUs/Hr.	Up To 10 Hours	2.2 Cubic Foot	Up To 18"	380 lbs.	5/16" to 3/16" Steel Plate	Up To 78.8%



# ANSWER I N S E R T

5



*Shown with the pewter door, door handle, convection fan and 8" surround panels.*

The Answer™ is a terrific way to heat a secluded room or small home. It conserves space by mounting flush into your existing masonry or zero clearance fireplace. Yet it still offers advanced features like a five-sided convection chamber to distribute warm air evenly and a single air control for easy regulation of burn and heat output. The Answer's door opening is 2 inches taller than most other small inserts, so you can easily load it with larger pieces of wood. The Answer has the largest firebox available in a small insert, so it offers longer burn times and gives you more time to enjoy watching the flames between fuel loadings.

Options: Door and Door Handle in Black, Brass or Pewter Finish, Finish Panels, Convection Fan, Etched Elk Glass and Firescreen.

Emissions	Heating Capacity	Heat Output	Maximum Burn Time	Firebox Size	Maximum Log Size	Weight	Construction	Efficiency
4.4 Grams Per Hour	750 to 1,200 Sq. Ft.	Cord Wood 66,800 BTUs/Hr.	8 Hours	1.6 Cubic Foot	18"	285 lbs.	5/16" to 3/16" Steel Plate	Up To 79.6%

# REVERE I N S E R T



## COOKTOP SURFACE



*Shown with the brass door, door handle, customized with metallic brown paint finish, 8" surround panels and convection fan.*

An excellent primary heat source for medium-sized homes, the Revere™ is truly in a class of its own. Its 10" x 24" radiant cooking surface is bigger than any other medium insert, and also has one of the largest and cleanest burning fireboxes of any mid-sized insert. The Revere can take logs crosswise or lengthwise for greater capacity and longer burn times. The Revere is the only insert of its size to use a by-pass damper for easy fire startup and smoke-free reloading. This insert is the largest extended wood burning insert approved for zero clearance fireplace installations.

Options: Door and Door Handle in Black, Brass or Pewter Finish, Finish Panels, Convection Fan, Etched Elk Glass, and Firescreen.

Emissions	Heating Capacity	Heat Output	Maximum Burn Time	Firebox Size	Maximum Log Size	Weight	Construction	Efficiency
1.9 Grams Per Hour	1,200 to 2,000 Sq. Ft.	Cord Wood 72,400 BTUs/Hr.	10 Hours	2.2 Cubic Foot	18"	380 lbs.	5/16" to 3/16" Steel Plate	Up To 78.8%



# DECLARATION PLUS INSERT

Available in  
CANADA



7



**GREEN START™**

*Shown with Wilmington face and 8" finish panels.*

Enjoy higher efficiency and lower heating bills with Lopi's Declaration Plus, the first and best completely flush fireplace insert on the market. The classic architecture and large viewing area of the single door are complementary to most decor. The Declaration Plus features a 5-sided convection chamber, 6" seamless flue collar and masonry fire brick interior, making the unit very high in quality with exceptional heat transfer. The fireplace has the highest BTU output of any flush insert to date providing up to 73,000 BTU's distributed by twin 90 CFM convection fans. The fans are standard and are designed to circulate heat up to 2,000 square feet making the Declaration Plus an extraordinary heater. The advanced combustion system provides fires that burn longer and more efficiently with less wood keeping your fire ablaze for approximately 10 hours (*depending on wood species*). Warm up your home this year with this efficient and high caliber insert.

Options: GreenStart™ Igniter, Finish Panels and Insert Wiring Kit.

Emissions	Heating Capacity	Heat Output	Maximum Burn Time	Firebox Size	Maximum Log Size	Weight	Construction	Efficiency
4.4 Grams Per Hour	1,200 to 2,000 Sq. Ft.	Cord Wood 73,300 BTUs/Hr.	10 Hours	2.2 Cubic Foot	24"	450 lbs.	5/16" to 1/4" Steel Plate	Up To 76.9%



# DECLARATION PLUS FACE AND GRILL SELECTION



The Declaration Plus wood burning fireplace insert has two beautiful faces to choose from - the Wilmington black or the Wilmington with brushed nickel plated Arabesque Grills.

## FACE OPTIONS



Black Wilmington face comes standard with vertical bar grills and black door



Or order the optional Brushed Nickel Arabesque Grills



Black Wilmington face with Arabesque grills installed

## CORDLESS HEARTH

Don't want a power cord for your fan running across the hearth? Lopi offers the option of adding our UL approved Insert Wiring Kit that allows you to hard-wire the insert convection fan through the fireplace wall to an electrical junction box mounted outside the fireplace. We recommend the Insert Wiring Kit be installed by a licensed electrician before the installation of the insert.



# CAPE COD INSERT

Available in  
CANADA



9



Lopi's Cape Cod is the most beautiful flush cast iron wood burning fireplace insert on the market. The classic cast iron design and large viewing area of the single door are complementary to almost all interior designs. Sharing the same combustion technology as the Declaration, the Cape Cod also features a 5-sided convection chamber, seamless 6" flue and masonry fire brick. The insert has the highest BTU output of any flush insert to date providing up to 73,000 BTU's distributed by twin 90 CFM convection fans. The fans come with the insert and are designed to circulate heat up to 2,000 square feet making the Cape Cod a great heat source for your home. The advanced combustion allows wood to burn longer and more efficiently. You will use less wood, but gain more heat. Warm up your home this year with this efficient and high caliber insert.

Options: GreenStart™ Igniter, Finish Panels and Insert Wiring Kit.

Emissions	Heating Capacity	Heat Output	Maximum Burn Time	Firebox Size	Maximum Log Size	Weight	Construction	Efficiency
4.4 Grams Per Hour	1,200 to 2,000 Sq. Ft.	Cord Wood 73,300 BTUs/Hr.	10 Hours	2.2 Cubic Foot	24"	450 lbs.	5/16" to 1/4" Steel Plate	Up To 76.9%

# FREEDOM I N S E R T



Available in  
CANADA



10



*Shown with brass door, door handle, 8" rectangular panels and convection fan.*



*The extended application provides a great cooktop surface.*

By delivering a remarkable 76.9% efficiency rating, the Freedom™ reigns as the most efficient large insert on the market. It is the only insert of its size that can either mount flush (a good way to go if used as a room heater or for backup heat) or extended 7 inches onto the hearth (which provides a additional radiant heat and a great cooking surface). The Freedom insert is suitable for most existing masonry fireplaces because the firebox is tapered to fit the widest possible range of fireplace openings. The Freedom can also take a 24 inch log, making overnight burns easier than ever before.

Options: Door and Door Handle in Black, Brass or Pewter Finish, Firescreen, Arched & Rectangular Finish Panels, Flush Mount Kit and Elk Etched Glass.

Emissions	Heating Capacity	Heat Output	Maximum Burn Time	Firebox Size	Maximum Log Size	Weight	Construction	Efficiency
3.2 Grams Per Hour	Extended Model 1,200 to 2,250 Sq. Ft. Flush Model 1,200 to 2,000 Sq. Ft.	Cord Wood 73,300 BTUs/Hr.	12 Hours	2.9 Cubic Foot	24" Front 18" Back	455 lbs.	5/16" to 3/16" Steel Plate	Up To 76.9%



# FREEDOM BAY

I N S E R T

11



*Shown with pewter door, ashlip trim and door handle and 8" surround panels.*

The Freedom Bay™ is proof that beauty and function really can be engineered to go hand in hand. At an emission rate of only 2.6 grams per hour, it is one of the cleanest burning large inserts ever tested and approved by the EPA. The bay “windows” are actually side convection chambers that allow air to circulate around the huge firebox and return to the room heated. To further increase air flow the Freedom Bay includes a quiet, yet powerful blower to produce superior air flow. The Freedom Bay also comes with the choice of a solid brass, black painted or pewter door and trim, making this insert our most distinctive and elegant heater for larger homes.

Options: Door, Ashlip Trim and Door Handle in Black, Brass or Pewter Finish, Firescreen, Arched or Rectangular Finish Panels and Elk Etched Glass.

Emissions	Heating Capacity	Heat Output	Maximum Burn Time	Firebox Size	Maximum Log Size	Weight	Construction	Efficiency
2.6 Grams Per Hour	1,200 to 2,250 Sq. Ft.	Cord Wood 74,300 BTUs/Hr.	12 Hours	3.1 Cubic Foot	24"	470 lbs.	5/16" to 3/16" Steel Plate	Up To 76.9%

# LOPI WOOD INSERTS



REPUBLIC 1250i



REPUBLIC 1750i



CAPE COD  
Zero Clearance Approved



ANSWER  
Zero Clearance Approved



REVERE  
Zero Clearance Approved



DECLARATION PLUS  
Zero Clearance Approved



FREEDOM



FREEDOM BAY

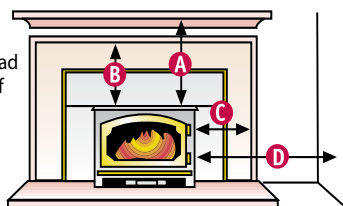
12

	SMALL		MEDIUM		LARGE					
<b>SPECIFICATIONS</b>										
Width	23-7/8"		24-1/4"		28-7/8" (18-7/8" in back)		29-1/4"		43-3/4" (29-1/4" in back)	
Height	20-3/4"		19-3/4"		21-1/2"		21-3/4"		21-3/4"	
Depth (overall)	16-1/4"		23-1/8"		19"		20-1/2"		20-1/2"	
Depth on Hearth	3"		10"		1-1/4"		7" (Ext)-1-5/8" (FI)		4-3/4"	
Depth into Fireplace	13-1/2"		13-1/8"		17-3/4"		13-1/2"(Ext)-18-7/8"(FI)		15-3/4"	
Flue Size	6"		6"		6"		6"		6"	
Construction (plate steel)	Up to 5/16"		Up to 5/16"		Up to 5/16"		Up to 5/16"		Up to 5/16"	
Weight (body)	300 lbs.		380 lbs.		450 lbs.		455 lbs.		470 lbs.	
<b>PERFORMANCE</b>										
Emissions	4.4 Grams/Hr.		1.9 Grams/Hr.		4.4 Grams/Hr.		3.2 Grams/Hr.		2.6 Grams/Hr.	
Heating Capacity	750 to 1,200 Sq. Ft.		1,200 to 2,000 Sq. Ft.		1,200 to 2,000 Sq. Ft.		1,200 to 2,250 Sq. Ft. (Ext.) 1,200 to 2,000 Sq. Ft. (FI)		1,200 to 2,250 Sq. Ft.	
Heat Output (CordWood)	66,800 BTU's/Hr.		72,400 BTU's/Hr.		73,300 BTU's/Hr.		73,300 BTU's/Hr.		74,300 BTU's/Hr.	
Efficiency (DEQ)	Up To 79.6%		Up To 78.8%		Up To 76.9%		Up To 76.9%		Up To 76.9%	
Maximum Burn Time	Up To 8 Hours		Up To 10 Hours		Up To 10 Hours		Up To 12 Hours		Up To 12 Hours	
Firebox Size	1.6 Cubic Ft.		2.2 Cubic Ft.		2.2 Cubic Ft.		2.9 Cubic Ft.		3.1 Cubic Ft.	
Maximum Log Size	Up to 18"		Up to 18"		Up to 24"		Up to 24"		24" up to	
<b>CLEARANCES</b>										
	Masonry Fireplace	Metal (ZC) Fireplace	Masonry Fireplace	Metal (ZC) Fireplace	Masonry Fireplace	Metal (ZC) Fireplace	Masonry Fireplace Extended	Masonry Fireplace w/flush kit	Masonry Fireplace	
A = Firebox to Mantel With Mantel Shield	15-1/2"	24"	30-1/2"	24"	41-1/2"*	41-1/2"*	32"	20"	32"	
	N/A	N/A	22-1/2"	N/A	N/A	N/A	19"	N/A	19"	
B = Firebox to Top Facing With Mantel Shield	12"	12"	28-1/2"	12"	39"*	39"*	30"	20"	30"	
	N/A	N/A	20-1/2"	N/A	N/A	N/A	17"	N/A	17"	
C = Firebox Side to Side Facing	9-1/2"	12"	13"	12"	9"	9"	13-1/2"	13-1/2"	13-1/2"	
D = Firebox Side to Side Wall	13"	30"	15"	30"	9"	9"	15"	15"	15"	
	* measured from floor									
<b>FIREPLACE SIZING</b>										
	Masonry Fireplace	Metal (ZC) Fireplace	Masonry Fireplace	Metal (ZC) Fireplace	Masonry Fireplace	Metal (ZC) Fireplace	Masonry Fireplace Extended	Masonry Fireplace w/flush kit	Masonry Fireplace	
E = Minimum Depth	13-1/2"	14-1/2"	13-1/8"	14-1/8"	17-3/4"	18-3/4"	13-1/2"	18-7/8"	15-3/4"	
F = Minimum Front Width	23-5/8"	25-5/8"	24-1/4"	26-1/4"	30-7/8"	30-7/8"	29-1/4"	29-1/4"	29-1/4"	
G = Minimum Back Width	23-5/8"	25-5/8"	21-5/8"	23-5/8"	18-7/8"	20-7/8"	21-1/4"	21-1/4"	29-1/4"	
H = Minimum Height	20-3/4"	20-3/4"	19-3/4"	19-3/4"	21-1/2"	21-1/2"	21-3/4"	21-3/4"	21-3/4"	
<b>PANEL SIZES</b>										
Rectangular Panels Listed.										
8" x 8"	28-1/4" H x 40-1/8" W		27-5/8" H x 40-3/8" W		29-1/2" H x 45-1/2" W		29-1/2" H x 45-3/8" W		29-1/2" H x 45-3/8" W	
10" x 10"	30-1/4" H x 44-1/8" W		29-5/8" H x 44-3/8" W		31-1/2" H x 49-1/2" W		31-1/2" H x 49-3/8" W		31-1/2" H x 49-3/8" W	
12" x 12"	N/A		31-5/8" H x 48-3/8" W		33-1/2" H x 53-1/2" W		33-1/2" H x 53-3/8" W		33-1/2" H x 53-3/8" W	

## CLEARANCES TO UNPROTECTED COMBUSTIBLES: SIZING YOUR FIREPLACE FOR AN INSERT:

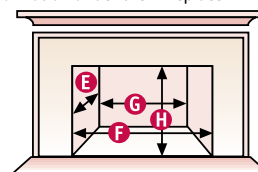
Use these illustrations in conjunction with the information under the "Clearance" & "Alcove" headings above.

All Inserts must have a non-combustible hearth pad that extends a minimum of 16" in front of the insert and 8" to the sides.



Use these illustrations in conjunction with the information under the "Fireplace Sizing" headings above.

Please use the provided chart on the right to mark down your fireplace dimensions. This will assist you in determining the right Lopi insert for your fireplace.



Your Fireplace Measurements  
E. = Depth

F. = Front Width

G. = Back Width

H. = Height

### APPROVED ZC FIREPLACES:

The Answer, Revere and Declaration Plus inserts are approved for Marco®, Majestic®, Heatilator®, Superior®, Preway® and Tempco® zero clearance fireplaces. See the Owner's Manual for details.



# REPUBLIC 1250

S T O V E

## COOKTOP SURFACE

Available in  
CANADA



13



*Shown with black door and steel legs.*

Now experience the performance and quality you've come to expect in Lopi wood stoves in two mid-priced economy models. Without compromising construction or function, Lopi has managed to produce the Republic wood stove line that's designed to be affordable, good looking and just plain heats.

The economically priced Republic™ 1250 is designed to heat smaller homes or for zonal heating specific areas or rooms. Features include large radiant heat transfer surfaces, fully lined ceramic brick firebox, heavy-duty steel construction, and the option of either steel legs or pedestal with outside air kit option. The Republic 1250 is also approved for Hearth Stove, Alcove and Mobile Home installations. The Republic comes with our "5 year Real World Warranty".

Options: Choice of Steel Legs or Pedestal, Convection Fan, Outdoor Air Kit and Firescreen.

Emissions	Heating Capacity	Heat Output	Maximum Burn Time	Firebox Size	Maximum Log Size	Weight	Construction	Efficiency
4.4 Grams Per Hour	600 to 1,200 Sq. Ft.	Cord Wood 66,800 BTUs/Hr.	Up To 8 Hours	1.6 Cubic Foot	Up To 18"	243 lbs. (With Legs)	1/4" to 3/16" Steel Plate	Up To 79.6%

# REPUBLIC 1750

## S T O V E



Available in  
CANADA

### COOKTOP SURFACE



*Shown with pedestal. Keep furniture at least 36" from front of stove.*

The Republic™ 1750 wood stove offers the classic Lopi look -- a radiant surface for cooking and a convection surface for warming. And it packs a powerful punch. Its ceramic brick lined firebox is larger than most small stoves. To get heat to the room, the Republic 1750 uses a rear and top convection chamber to enhance warm air circulation throughout your home. This provides more even heat than you get with a radiant-only wood stove. The economically priced Republic 1750 is ideal for mid-sized homes and for zonal heating specific areas of larger homes. The Republic 1750 is also approved for Hearth Stove, Alcove and Mobile Home installations. The Republic stove comes with our "5 year Real World Warranty".

Options: Choice of Steel Legs or Pedestal, Convection Fan, Outdoor Air Kit and Firescreen.

Emissions	Heating Capacity	Heat Output	Maximum Burn Time	Firebox Size	Maximum Log Size	Weight	Construction	Efficiency
1.9 Grams Per Hour	1,200 to 2,000 Sq. Ft.	Cord Wood 72,400 BTUs/Hr.	Up To 10 Hours	2.2 Cubic Foot	Up To 18"	430 lbs. (With Legs)	5/16" to 3/16" Steel Plate	Up To 78.8%



# ANSWER

S T O V E

15



*Shown with custom redwood paint finish, brass door and door handle and pedestal.*

It may be small, but the compact Answer's size belies its incredible heating capacity. The Answer™ uses a five-sided convection chamber to distribute heat evenly throughout your home. Cool room air is naturally drawn around the hot firebox, heated, and returned back into the room without using a blower. The Answer's 1.6 cubic foot firebox is larger than most other small stoves, so it offers longer burn times with less reloading. It's a powerful heater for its size, yet backwall clearance allows the stove to be installed as close as 9" to a rear combustible. The Answer is also approved for Hearth Stove, Alcove and Mobile Home installations.

Options: Door and Door Handle in Black, Brass or Pewter Finish, Four Decorative Leg Designs, Pedestal, Convection Fan, Outdoor Air Kit, GreenStart™ Igniter, Elk Etched Glass and Firescreen.

Emissions	Heating Capacity	Heat Output	Maximum Burn Time	Firebox Size	Maximum Log Size	Weight	Construction	Efficiency
4.4 Grams Per Hour	750 to 1,400 Sq. Ft.	Cord Wood 66,800 BTUs/Hr.	8 Hours	1.6 Cubic Foot	18"	300 lbs. (With Legs)	5/16" to 3/16" Steel Plate	Up To 79.6%



# ENDEAVOR

## S T O V E



Available in  
CANADA



### COOKTOP SURFACE

GREEN  START™



Watch Video of the  
Endeavor Burning.

*Shown with a custom charcoal paint finish, optional black door and door handle and cast legs.*

The Endeavor is our #1 selling wood stove. The size of this stove is perfect for any medium sized home. The Endeavor™ combines form and function with an unbeatable heat transfer system. Its classic step-top design features a radiant surface for cooking, and a convection surface for warming. It has the biggest and cleanest-burning firebox of any medium-size stove, yet offers the closest clearance of any wood stove in the industry — as close as 4 ¼" inches to a rear combustible surface. The Endeavor also features a taller door opening than any other medium-size stove, allowing you to load bigger pieces of wood and produce longer burn times. In addition, a by-pass damper makes startup easy and prevents smoke-backs during reloading. The Endeavor is also approved for Hearth Stove, Alcove and Mobile Home installations.

Options: Door and Door Handle in Black, Brass or Pewter Finish, Four Decorative Leg Designs, Pedestal, Convection Fan, Etched Elk Glass, Outdoor Air Kit, GreenStart Igniter and Firescreen.

Emissions	Heating Capacity	Heat Output	Maximum Burn Time	Firebox Size	Maximum Log Size	Weight	Construction	Efficiency
1.9 Grams Per Hour	1,200 to 2,000 Sq. Ft.	Cord Wood 72,400 BTUs/Hr.	10 Hours	2.2 Cubic Foot	18"	448 lbs. (With Legs)	5/16" to 3/16" Steel Plate	Up To 78.8%



# LIBERTY STOVE

## COOKTOP SURFACE

17



*Shown with Steel Sculptured Legs, Pewter Door and Door Handle.*

The Liberty™ is the largest stove made by Lopi. At only 2.6 grams of emissions per hour, it is also one of the cleanest burning large stoves ever approved by the EPA. The Liberty has the biggest firebox of any large stove, which accepts 24 inch logs. It also features a single control to adjust air flow, making it easy to achieve burn times up to 12 hours long. The Liberty's step-top design is enchanting yet functional, providing cooking and warming surfaces as well as radiant and convective heat. The viewing area is extra-large, allowing you to fully appreciate the splendor of the fire inside. The Liberty uses a 6" diameter flue, compared with the more expensive 8" flue required by other large wood stoves. The Liberty is also approved for Hearth Stove, Alcove and Mobile Home installations.

Options: Door and Door Handle in Black, Brass or Pewter Finish, Four Decorative Leg Designs, Pedestal, Convection Fan, Elk Etched Glass, Outdoor Air Kit, GreenStart™ Igniter and Firescreen.

Emissions	Heating Capacity	Heat Output	Maximum Burn Time	Firebox Size	Maximum Log Size	Weight	Construction	Efficiency
2.6 Grams Per Hour	1,500 to 2,500 Sq. Ft.	Cord Wood 74,300 BTUs/Hr.	12 Hours	3.1 Cubic Foot	24"	490 lbs. (With Legs)	5/16" to 3/16" Steel Plate	Up To 76.9%

# LOPI WOOD STOVES



**REPUBLIC  
1250**



**REPUBLIC  
1750**



**ANSWER**



**ENDEAVOR**



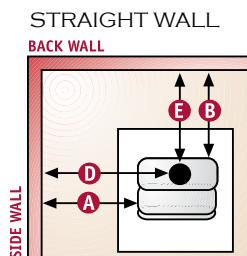
**LIBERTY**

	REPUBLIC 1250		REPUBLIC 1750		ANSWER		ENDEAVOR		LIBERTY	
	SMALL	MEDIUM	SMALL	MEDIUM	SMALL	MEDIUM	MEDIUM	LARGE	LARGE	LARGE
<b>SPECIFICATIONS</b>										
Width	23-5/8"	24"	23-5/8"	24"	23-5/8"	24"	24"	30"	30"	30"
Height (All Legs)	26-1/2"	26-1/2"	27-7/8"	26-1/2"	27-7/8"	30-5/8"	30-5/8"	32-1/4"	32-1/4"	32-1/4"
Height (Pedestal)	30-5/8"	30-5/8"	31-7/8"	30-5/8"	31-7/8"	34-5/8"	34-5/8"	36-1/4"	36-1/4"	36-1/4"
Depth	14-5/8"	23-1/2"	16-1/4"	23-1/2"	16-1/4"	23-1/2"	23-1/2"	21"	21"	21"
Flue Size	6"	6"	6"	6"	6"	6"	6"	6"	6"	6"
Construction (plate steel)	1/4" to 3/16"	5/16" to 3/16"	5/16" to 3/16"	5/16" to 3/16"	5/16" to 3/16"	5/16" to 3/16"	5/16" to 3/16"	5/16" to 3/16"	5/16" to 3/16"	5/16" to 3/16"
Weight (body w/legs)	243 lbs.	430 lbs.	300 lbs.	430 lbs.	300 lbs.	448 lbs.	448 lbs.	490 lbs.	490 lbs.	490 lbs.
<b>PERFORMANCE</b>										
Emissions	4.4 Grams/Hr.	1.9 Grams/Hr.	4.4 Grams/Hr.	1.9 Grams/Hr.	4.4 Grams/Hr.	1.9 Grams/Hr.	1.9 Grams/Hr.	2.6 Grams/Hr.	2.6 Grams/Hr.	2.6 Grams/Hr.
Heating Capacity (Sq Ft.)	600 to 1,200	1,200 to 2,000	750 to 1,400	1,200 to 2,000	750 to 1,400	1,200 to 2,000	1,200 to 2,000	1,500 to 2,500	1,500 to 2,500	1,500 to 2,500
Heat Output	66,800 BTU's/Hr.	72,400 BTU's/Hr.	66,800 BTU's/Hr.	72,400 BTU's/Hr.	66,800 BTU's/Hr.	72,400 BTU's/Hr.	72,400 BTU's/Hr.	74,300 BTU's/Hr.	74,300 BTU's/Hr.	74,300 BTU's/Hr.
Efficiency (DEQ)	Up To 79.6%	Up To 78.8%	Up To 79.6%	Up To 78.8%	Up To 79.6%	Up To 78.8%	Up To 78.8%	Up To 76.9%	Up To 76.9%	Up To 76.9%
Maximum Burn Time	Up To 8 Hours	Up To 10 Hours	Up To 8 Hours	Up To 10 Hours	Up To 8 Hours	Up To 10 Hours	Up To 10 Hours	Up To 12 Hours	Up To 12 Hours	Up To 12 Hours
Firebox Size	1.6 Cubic Ft.	2.2 Cubic Ft.	1.6 Cubic Ft.	2.2 Cubic Ft.	1.6 Cubic Ft.	2.2 Cubic Ft.	2.2 Cubic Ft.	3.1 Cubic Ft.	3.1 Cubic Ft.	3.1 Cubic Ft.
Maximum Log Size	Up To 18"	Up To 18"	Up To 18"	Up To 18"	Up To 18"	Up To 18"	Up To 18"	Up To 24"	Up To 24"	Up To 24"
<b>CLEARANCES</b>										
	Single Wall Connector	Double Wall Connector	Single Wall Connector	Double Wall Connector	Single Wall Connector	Double Wall Connector	Single Wall Connector	Double Wall Connector	Single Wall Connector	Double Wall Connector
A = Stove to Side Wall	18"	18"	15"	13"	18"	13"	15"	13"	16"	16"
B = Stove to Back Wall	18"	10- 1/2"	15"	4-1/4"	16-1/2"	9"	15"	4-1/4"	15"	10"
C = Stove to Corner Wall	10"	10"	15"	6-1/2"	10"	7-1/2"	15"	6-1/2"	9-1/2"	7-1/2"
D = Connector to Side Wall	27"	26-1/2"	24"	21-1/2"	27"	21-1/2"	24"	21-1/2"	28"	27-1/2"
E= Connector to Back Wall	19-1/4"	11-1/4"	17-3/4"	6-1/2"	19-1/2"	11-1/2"	17-3/4"	6-1/2"	18-1/4"	12-3/4"
F= Connector to Corner Wall	17-3/4"	17-1/4"	24"	15"	19-1/2"	16-1/2"	24"	15"	21	18-1/2"
<b>HEARTH PROTECTION</b>										
	USA	CANADA	USA	CANADA	USA		USA	CANADA	USA	
G = Front	16"	18"	16"	18"	16"		16"	18"	16"	
H = Sides	6"	8"	6"	8"	6"		6"	8"	6"	
I = Back	6"	8"	6"	8"	6"		6"	8"	6"	
<b>ALCOVE - To Combustible</b>										
J = Minimum Width	59-5/8"		54"		49-5/8"		54"		62"	
K = Maximum Depth	48"		48"		48"		48"		48"	
L = Minimum Height	84"		84"		84"		84"		84"	

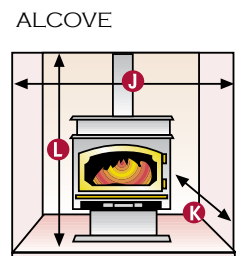
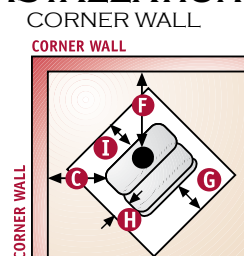
## CLEARANCES TO UNPROTECTED COMBUSTIBLES

Use these illustrations in conjunction with the information under the "Clearance" & "Alcove" headings above.

\*Heating Capacity may vary depending on degree of home insulation, floor plan and ambient temperature zone of the area in which you live.



## INSTALLATIONS

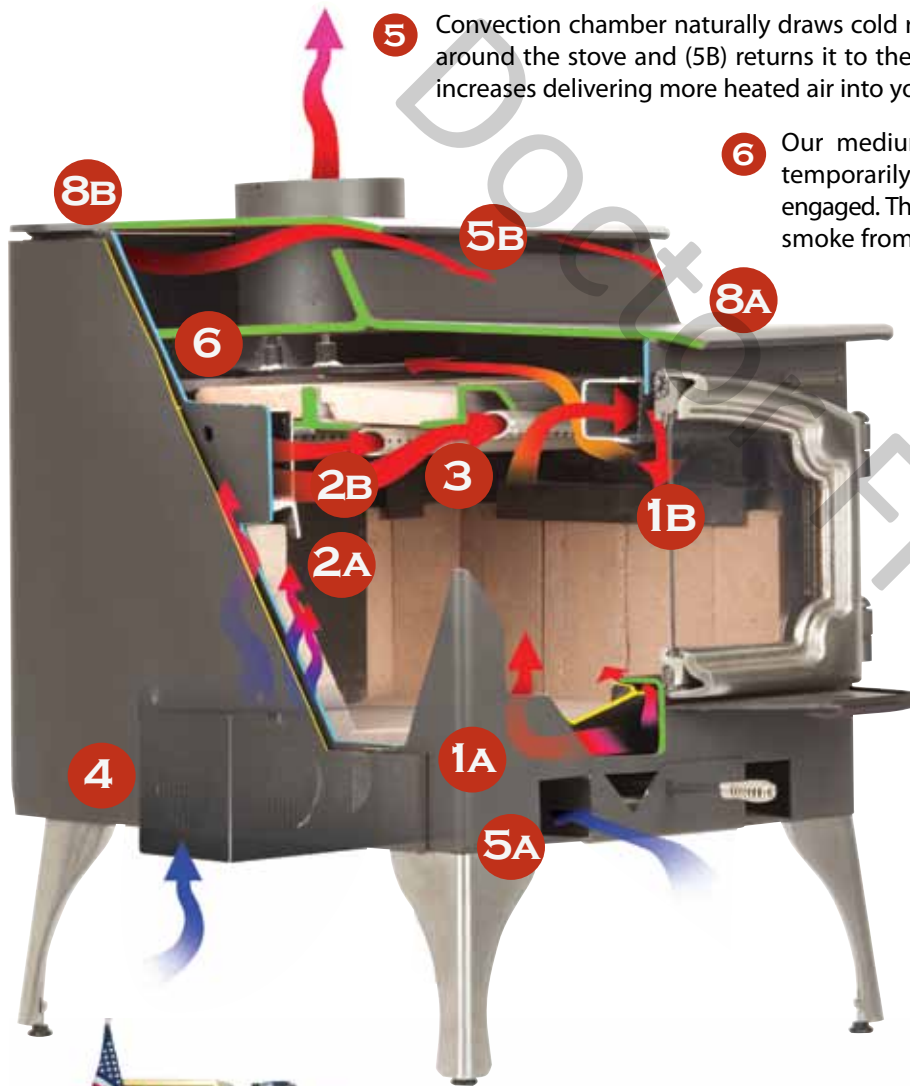




# HOW A LOPI WOOD STOVE WORKS

19

- 1 Pre-heated air wash cleans the glass like a self-cleaning oven; (1A) a steady stream of fresh air enters the stove, gets hot as it is drawn up the heated internal air chamber, and (1B) then travels through a screened airwash which diffuses and evenly distributes air across the glass keeping smoke and ash particles away.
- 2 Pre-heated secondary combustion air (2A) is delivered to the stainless steel secondary combustion tubes (2B) which introduces oxygen to the firebox and promotes re-burn of most of the smoke and gases that would otherwise line your flue as creosote and exit your chimney as smoke.
- 3 The heavy-duty masonry baffle holds and radiates heat back into the firebox for more efficient and complete combustion.
- 4 An optional blower is available to speed up the circulation of convective heat throughout your home. A blower is ideal for quicker more efficient heating, or for larger a home with high ceilings or a home with an open floor plan.



5 Convection chamber naturally draws cold room air (5A) in at the bottom of the unit, circulates it around the stove and (5B) returns it to the room heated. As the stove heats up air flow actually increases delivering more heated air into your home.

6 Our medium and large units feature By-Pass dampers which temporarily re-routes smoke behind the masonry baffle when engaged. The by-pass assists faster fire start-up as well as preventing smoke from escaping through the door when loading wood.



7 Lopi stoves feature a large capacity convection chamber which enhances the heat transfer by gently circulating heated air to adjoining rooms, while still offering radiant heat that warms the room and the objects in it.

8 Our wood stoves also provide a great cooktop surface. The cooktop surface can be used to warm soup, heat up hot cocoa or for scented potpourri. Our medium and large stoves give you both a cooktop (8A) and warming (8B) surface, so not only will your stove heat your home during a power outage, you can also cook on it





# DARE TO COMPARE! WE BUILD THE FINEST WOOD STOVES ON THE PLANET.

No other wood burning stove can surpass Lopi's performance or quality. It takes the best engineers and craftsmen to make the best stoves, and we've got them. Your new Lopi stove features true unibody construction, using a 600 ton press to form and bend the metal eliminating unsightly welds and increasing strength. The Lopi door is durable and beautiful and held in place with cold-rolled steel hinge punched through the firebox and welded on the inside to hold the door straight. The hinge pins that hold the door are 5/8" bridge rivets. Your stove also has a six-inch, seamless, heavy-duty steel flue collar and heavy gauge 5/16" & 3/16" steel construction. When you buy a Lopi, you're buying the finest. We guarantee it.



The optional solid brass door will last for life (unlike the micro-thin gold plating common to many other stove brands). Pewter plated doors are also available on all stoves and inserts.

*Not available on Republic stoves, Republic inserts, Declaration insert and Cape Cod insert.*



Lopi uses real kiln-fired, refractory firebrick in the firebox and baffle. This is the same material used to line commercial boilers and furnaces. The brick protects the steel while increasing the internal temperature within the firebox.



Our single air control is easier to fine tune to your heating needs by regulating both primary and secondary air to the stove. The control is spring loaded to insure an engineered seal to the bottom of the firebox. The result is a sealed air-control which will not allow any additional air into the firebox.



Cast iron frame glass retainer insures a permanent air-tight seal around the glass. The cast iron frame fits an inch deep inside the door, so the door will never warp or flex. The frame also protects the glass gaskets from direct contact with the fire.

## 7-YEAR "REAL WORLD" WARRANTY

*(5 Years on the Republic 1250 & 1750 stoves and inserts)*

Our 7-Year Warranty offers more protection on key components than the so-called "Limited Lifetime" warranties of our competitors.

**YEARS 1-2:** All parts and labor on your wood burning appliance, including blower and one-way freight allowance.

**YEARS 3-5:** All parts and labor on the firebox, door assembly, air controls assemblies and one-way freight allowance.

**YEARS 6-7:** Parts only on firebox, door and air control assemblies

Lopi builds stoves to last a lifetime. We'll stand behind the quality and performance of our products year after year because that's the way we do business –and you don't have to read the fine print for your peace of mind.



**Scan QR Code to watch a video on how Lopi wood stoves are made.**





# GREEN START™

## THE REVOLUTIONARY GREENSTART™ IGNITER OPTION

*Starting your woodstove has never been easier. Much like Charles Kettering's invention of the electric automobile ignition 100 years ago, the GreenStart igniter system has evolved the ignition of fire in a spectacular way and has become the greatest innovation in wood heating in over 100 years.*

Starting a fire in your wood stove is now as convenient as pushing a button. No longer is the mess of starting a fire with matches and newspapers a concern as it has been eliminated entirely by this breakthrough new igniter system. Fireplace safety has increased, as well as there is no longer a need to leave doors ajar to promote the fire start up.

The GreenStart system works much like a blacksmith bellows. A compressor forces 1400 degree preheated air into the firebox directly onto the wood source giving a clean fast smoke-free start up. This combination of the igniter and bellows is the brilliance of this patented design. This system is also ideal for refreshing old fires as well by simply adding new fuel on top of the old coals, closing the door and pushing the button two times. This activates the bellows without activating the ignitor. The bellows will run for 7 minutes, enough time to rekindle the fire.

The new GreenStart system instantly elevates combustion temperatures within your stove, immediately establishes a draft and eliminates the slow and smoky typical wood fireplace start up. The GreenStart Igniter system will start wood burning within a minute. After the initial start up the blower will continue pumping air at various speeds like a bellow into the fire greatly accelerating the start up time. After 15 minutes the blower shuts off. For best results dry, seasoned wood is required when using the GreenStart system. Never before has starting a fire in a wood stove or insert been so simple.

### WHAT MODELS CAN I USE THE GREENSTART IGNITER WITH?

The GreenStart igniter can be added to the Lopi Answer, Endeavor and Liberty stoves and the Declaration Plus Insert.



Use your Smart Phone QR Reader to watch a video on the GreenSmart Igniter

### PUSH A BUTTON



### START YOUR FIRE



**30 Seconds**

Hot surface igniter blows 1400 degree heated air into firebox igniting the wood.



**6 Minutes**

Igniter shuts down and blower continues to push air acting as a bellow to fan the fire.



**6 - 15 Minutes**

Blower continues to fan fire at various speeds to deliver proper draft in chimney and vigorous fire.



**15 Minutes**

Blower shuts down. Homeowner adjusts damper and air controls to maintain fire.

# LOPI STOVE & INSERT OPTIONS & ACCESSORIES

THESE OPTIONS NOT AVAILABLE FOR THE DECLARATION WOOD INSERT



## DOORS

Choose from three door finishes to blend or accent your stove and room decor. Solid Brass, Black Painted, Pewter Plated

Not available on Republic stoves, Republic inserts, Declaration insert and Cape Cod insert.



## ELK ETCHED GLASS

Bring the great outdoors inside with the decorative elk etched glass design.

Not available on Republic stoves, Republic inserts, Declaration insert and Cape Cod insert.



## FIRESCREEN

Burn your stove or insert with the door open to enjoy the crackling sound as the fire.

## CONVECTION FANS

High on power but low on noise. They help circulate heat by moving up to 160 cubic feet of air per minute.



Stove Fan  
Installs in back of unit.



Insert Fan  
Installs in front of unit.  
(Shown installed on pages 5 & 6.)

## FOUR DECORATIVE LEG CHOICES

Blend or contrast with your stove depending on the style and finish you select.



Sculptured  
Pewter Finish

Sculptured  
Black Steel

Cast  
Brass

Cast  
Black



## FINISH PANELS

Fireplace Insert panels come in three sizes, 8", 10" and 12" to fit a wide variety of fireplace openings. All panels have the flexibility to be custom cut for an inside-fit to the fireplace opening. Arched panels are also available for the Freedom and Freedom Bay inserts.



## PEDESTALS

Available for the Republic, Answer, Endeavor and Liberty freestanding stoves. Pedestals allow for a clean installation of outside combustion through the back or bottom of the pedestal.



## CUSTOM PAINT

Lopi stoves and inserts can be painted in a variety of colors to fit any décor (ask your dealer for custom color choices.)

Only the most professional specialty hearth retailers are selected to sell Lopi stoves, inserts and fireplaces. They represent our total commitment to exceptional products and excellent service. In addition, they have successfully completed special training programs in the proper selection, installation, and service of all Lopi products.

Your professional Lopi hearth dealers are experts who can advise you on everything from customizing the color of your appliance to selecting appropriate venting and chimney materials. They can show you Lopi models on display, including working models actually burning.



Lopi produces a wide variety of quality wood, pellet, gas and electric hearth appliances. Find your favorite fire today by visiting: [www.lopistoves.com](http://www.lopistoves.com).



Children, like most of us are fascinated by fire and for families with young children, fireplaces pose a potential safety hazard. Take the time to educate young children about the dangers of fire and the hot surface temperatures of glass and metal surrounding the wood burning appliance. If you have an infant or toddler consider installing a firescreen; make sure it's tall enough so that children can't climb over it, and that it's placed far enough away so that reaching arms can't touch the surfaces of the fireplace. A few precautions such as these will allow everyone in your home to safely enjoy the comfort and warmth of your new stove or insert.

Your Lopi Authorized Dealer:



Lopi products are made with pride in the USA